

Semi Portable Ignition Unit

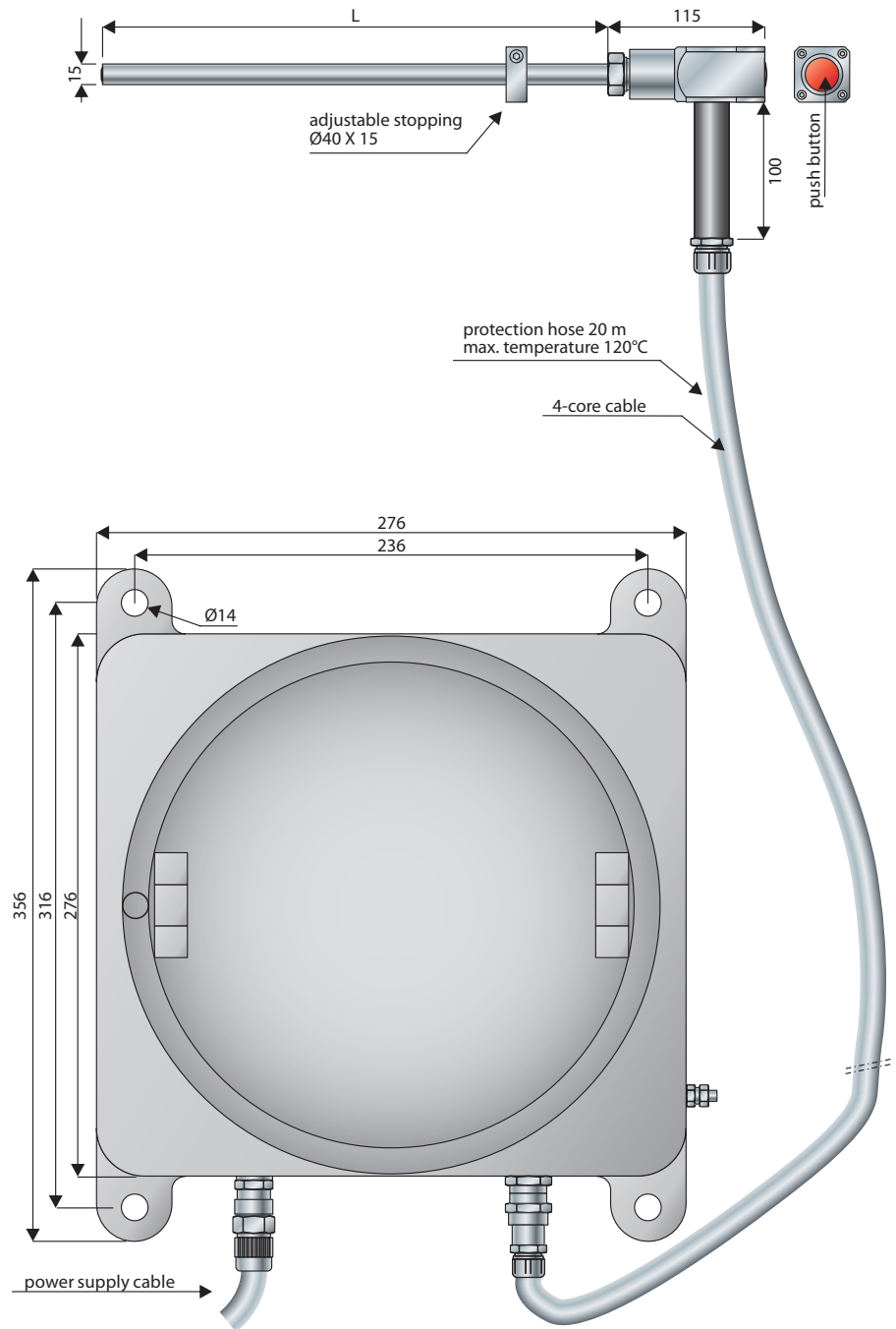
Explosion proof ignition unit with ignition lance to ignite main burner in furnaces or boilers. Ignition can be controlled by a remote switch

Features

- Explosion proof ignition unit
- High energy ignition
- Operation controlled by remote switch
- Easy to handle

Application

- Direct spark ignition for industrial burners in absence of fixed igniters



Semi Portable Ignition Unit	
ignition	high Energy
spark energy	2 J
spark voltage	2 kV
spark frequency	3 Hz
power supply	90 - 264 VAC or 24 VAC
power consumption	37 VA
protection class	IP66
explosion proof	ATEX II 2G Ex d IIC T6
housing material	aluminum
lance material	316 SST
handgrip material	aluminum
lance diameter	15 mm
lance length L	500–2000 mm, in steps of 100 mm
option	bent lance