

## Ignition lances

For the connection to the high energy ignition devices of the D-HG 400 and D-HG 500 series in order to ignite gas or liquid fuels in industrial burners of any capacity – also in hazardous areas

### Features

- Flexible customization for specific installation conditions by various combination of components
- Easily replaceable ignition tips – available as normal or high temperature-proof models
- Special ignition tips for the ignition of HFO or at high pressure
- Ignition lance lengths up to 15 meter
- Up to 50 m distance can be overcome by using robust high voltage cables – without any loss of performance!
- Compatible with retractions units D-VE 500

### Applications

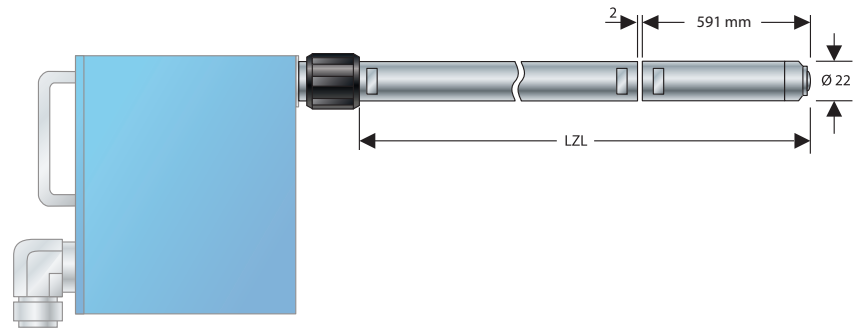
- Chemical industry
- Refineries
- Cement plants
- Waste incinerators
- Power plants
- Steam generators
- Claus plants

### Certifications

- ATEX/ IECEx
- EAC

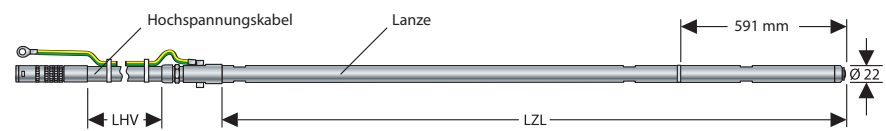


### D-ZL 500 - directly mounted at D-HG ... -50/ -51/ -52



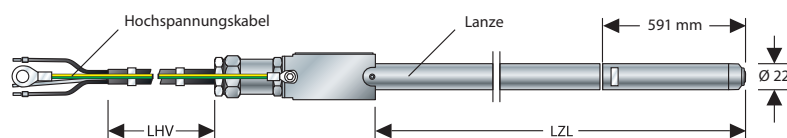
Length ignition lance LZL	Min 0,7 m, max 15 m (grid dimension: 100 mm)	Weight ignition lance	1,6 kg/m at Ø 22mm
Diameter ignition lance	Standard: 22 mm Others on request	Operational life of ignition tip	10 <sup>6</sup> sparks
Max temperature ignition tip	Normal temperature (NT): 600 °C, briefly 800 °C High temperature (HT): Up to 1000 °C		

### D-ZL 521- seperated ignition lance for D-HG ...-60/ -61/ -62



Length ignition lance LZL	Min 0,7 m, max 15 m (grid dimension 100 mm)	Weight ignition lance	1,6 kg/m at Ø 22mm
Length high voltage cable LHV	Min 3 m, max 50 m (grid dimension 5 m)	Weight high voltage cable	0,5 kg + 0,5 kg/m
Diameter ignition lance	Standard: 22 mm Other on request	Operational life of ignition tip	10 <sup>6</sup> sparks
Max temperature ignition tip	Normal temperature (NT): Up to 600 °C, briefly 800 °C High temperature (HT): Up to 1000 °C	Cable take-off	At side of device: 0°/ 90° At side of lance: 0°/ 90°

### D-ZL 441Ex - connectable to D-HG ...-Ex for hazardous areas



Length ignition lance LZL	Min 0,7 m, max 15 m (grid dimension: 100 mm)	Weight ignition lance	1,6 kg/m at Ø 22mm
Length high voltage cable LHV	Min 3 m, max 50 m (grid dimension: 5 m)	Weight high voltage cable	0,5 kg + 0,5 kg/m
Diameter ignition lance	Standard: 22 mm Other on request	Operational life of ignition tip	10 <sup>6</sup> sparks
Max temperature ignition tip	Normal temperature (NT): Up to 600 °C, briefly 800 °C High temperature (HT): Up to 1000 °C	Cable take-off	At side of lance: 0°/ 90°
Ex protection (ATEX/IECEx)	II 2G Ex d IIC T6, T5, T4 Gb II 2D Ex tb IIIC T80, 95, 130 °C Db IP65	Perm. ambient temperature	-40 °C to +80 °C