

STExS1F Alarm Horn Sounder

The STExS1F is a high output, 117dB(A) alarm horn sounder with a re-entrant flare horn. Low current consumption and high SPL in a robust IP66 corrosion proof 316L stainless steel enclosure ensures suitability for all Zone 1, 2, 21 & 22 applications.

Featuring 64 first stage/channel alarm sounds which can be selected via an internal switch. The alarm tone frequencies for the first 2 stages are independently selectable. Each tone can be remotely triggered e.g. via an external relay, to change to a second, third or fourth stage/channel alarm sound. The enclosure features a threaded flame path, triple cable entries and a large termination area – all of which significantly reduce installation time. SIL1 compliant to IEC 61508 (2010). DNV type approved for exposed locations.

Features

- Robust corrosion proof 316L stainless steel enclosure
- High output, up to 117dB(A)
- 4 remotely selectable alarm stages/channels
- Positive or negative line stage/channel switching
- Choice of 64 alarm tone frequencies
- Automatic synchronisation on multi-sounder system
- Continuously rated
- Compact form factor
- Stainless steel fixings
- Ratchet adjustable 316 stainless steel bracket
- 316 Stainless steel stopping plugs included
- 3 x cable entries
- Duplicate cable terminations (in & out for daisy-chain installations)
- Available with custom tone configurations and frequencies
- DNV type approved IEC 60945 & DNVGL-CG-0339

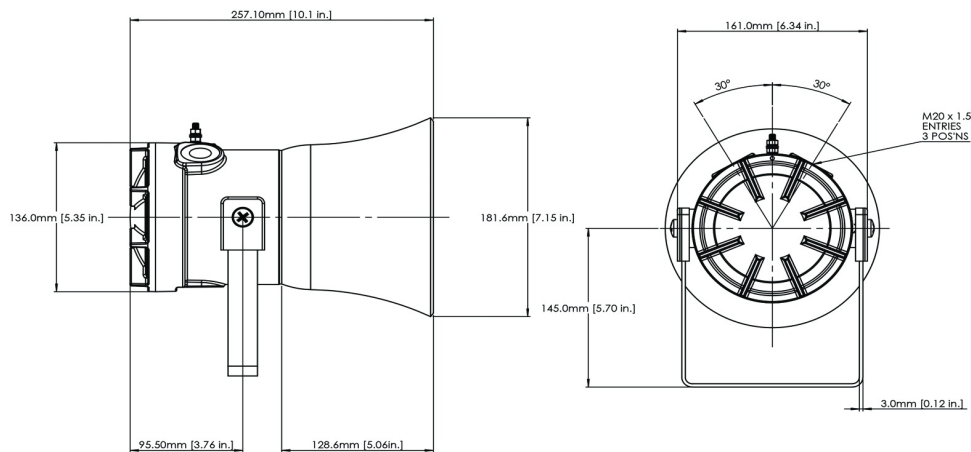
Approvals

- IECEx ULD 16.0017X
- ATEX DEMKO 16 ATEX 1466X
- TR-CU Ex EAC certificate: RU C-GB.AA71.B.00109
- SIL1 compliant to IEC 61508 (2010)

Coding

- Ex db IIC Gb T6 Ta -50°C to +65°C
- Ex db IIC Gb T5 Ta -50°C to +70°C
- Ex tb IIIC Db T85°C Ta -50°C to +70°C





Specification

| | |
|---------------------|----------------------------------------------------------------------------------------------------------------------------------------|
| Maximum output: | 117dB(A) @ 1 metre [108dB(A) @ 10ft/3m] |
| Nominal output: | 113dB(A) @ 1m +/- 3dB - Tone 2 [103dB(A) @ 10ft/3m] |
| No. of tones: | 64 (UK00A / PFEER compliant) |
| No. of stages: | 4 |
| Volume control: | Adjustable -12dB(A) [Tone 2] |
| Effective range: | 125m/410ft @ 1KHz |
| Voltages DC: | 24V dc (10-30V dc) |
| Voltages AC: | 110-240V ac 50/60Hz |
| Stage switching: | DC units: negative or positive AC units: common supply line |
| Ingress protection: | EN60529: IP66 |
| Enclosure matl: | 316L Stainless Steel |
| Enclosure finish: | Chromated & powder coated |
| Colour: | RAL3000 Red |
| Cable entries: | 3 x M20 ISO (2 x stopping plugs included as standard) Adaptors to M25, 1/2" & 3/4" NPT can be specified |
| Terminals: | 0.5 - 2.5mm ² (20-14 AWG) |
| Enclosure volume: | <2 litres |
| Line monitoring: | Blocking diode included EOL Min. 500 Ohm 2w, or 3k3 Ohm 0.5w resistor or diode (DC versions) can be fitted |
| Grounding stud: | M5 |
| Temperature range: | -50° to +70°C (-58°F to +158°F) |
| Relative humidity: | 95% - Additional tropicalisation is recommended for applications where both high relative humidity and high ambient temperatures exist |
| Weight: | 6.25kg/13.75lbs |

Part Codes

| Version: | Product code: | Description |
|-------------------------------------|----------------------------------------------------------------------------------------------------------------------------------------------------------------------------------------------------|--------------------------------------------------------------------------------------------------------------------------------------------------------------------------------|
| Product type: | STExS1 | STEx Alarm Horn Sounder |
| Horn type: | F | Flare re-entrant horn |
| Voltage: | DC024 AC230 | 10-30V dc 110-240V ac |
| Cable Entry Type: [e] | A B C D E F G | 3 x M20x1.5mm 2 x 1/2" NPT - adaptors 2 x 3/4" NPT - adaptors 2 x M25x1.5mm - adaptors 1 x 1/2" NPT - adaptor 1 x 3/4" NPT - adaptor 1 x M25x1.5mm - adaptor |
| Adaptor/Stopping plug material: [m] | B N S | Brass Nickel Plated Stainless Steel (standard) |
| Bracket matl & tag: [s] | 1 2 3 4 | A2 304 Stainless Steel A4 316 Stainless Steel (default) A2 304 St/St with Equip. Tag A4 316 St/St with Equip. Tag (304) |
| Product version: [v] | A1 M1 | IECEX & ATEX Group II 2G/D Zone 1, 2, 21 & 22 IECEX & ATEX Group II 2G/D Zone 1, 2, 21 & 22 - DNV type approved |
| Enclosure colour: [x] | R | Red RAL3000 |
| Accessories: | SP65-0001-A2 Pole Mount Bracket Kit 2" St/St A2 (304) SP65-0001-A4 Pole Mount Bracket Kit 2" St/St A4 (316) SP65-0003-A2 Sunshade - St/St A2 (304) SP65-0003-A4 Sunshade - St/St A4 (316) | |

Alarm Sounder

| Version: | Voltage: | Current: |
|----------|---------------------|----------|
| 24V dc | 10-30V dc | 217mA |
| 115V ac | 110-240V ac 50/60Hz | 77mA |
| 230V ac | 110-240V ac 50/60Hz | 53mA |

Tone table

| S 1 | Description | S 2 | S 3 | S 4 | S 1 | Description | S 2 | S 3 | S 4 |
|------|--------------------------------------------------|------|------|------|------|--------------------------------------------------|------|------|------|
| T 1 | 1000 Continuous - PFEER Toxic Gas | T 3 | T 2 | T 44 | T 33 | 800 (0.25s on, 1.00s off) Intermittent | T 53 | T 24 | T 8 |
| T 2 | 1200/500 @ 1Hz Sweeping - DIN / PFEER P.T.A.P. | T 1 | T 3 | T 44 | T 34 | 800 @ 2Hz (0.25s on, 0.25s off) - IMO code 3.... | T 56 | T 24 | T 8 |
| T 3 | 1000 @ 0.5Hz (1s on, 1s off) Intermittent - P... | T 1 | T 2 | T 44 | T 35 | 1000 @ 1Hz (0.50s on, 0.50s off) Intermittent | T 44 | T 24 | T 8 |
| T 4 | 1.4KH-1.6KHz 1s, 1.6KHz-1.4KHz 0.5s - NF C 48... | T 44 | T 24 | T 1 | T 36 | 2400 @ 1Hz (0.50s on, 0.50s off) Intermittent | T 21 | T 24 | T 8 |
| T 5 | 544(100mS)/440 (400mS) - NF S 32-001 | T 52 | T 19 | T 1 | T 37 | 2900 @ 5Hz (0.10s on, 0.10s off) Intermittent | T 53 | T 24 | T 8 |
| T 6 | 1500/500 - (0.5s on , 0.5s off) x3 + 1s gap -... | T 7 | T 44 | T 1 | T 38 | 363/518 @ 1Hz (0.50s / 0.50s) Alternating | T 1 | T 8 | T 19 |
| T 7 | 500-1500Hz Sweeping 2 sec on 1 sec off - AS4428 | T 6 | T 44 | T 1 | T 39 | 450/500 @ 2Hz (0.25s / 0.25s) Alternating | T 1 | T 8 | T 19 |
| T 8 | 500/1200Hz @ 0.26Hz(3.3s on, 0.5s off) - NEN ... | T 44 | T 24 | T 35 | T 40 | 554/440 @ 1Hz (0.50s / 0.50s) Alternating | T 44 | T 24 | T 19 |
| T 9 | 1000 (1s on, 1s off)x7 + (7s on, 1s off) - IM... | T 18 | T 34 | T 1 | T 41 | 554/440 @ 0.65Hz (0.76s / 0.76s) Alternating | T 1 | T 8 | T 19 |
| T 10 | 1000 (1s on, 1s off)x7 + (7s on, 1s off) - IM... | T 21 | T 34 | T 1 | T 42 | 561/760 @ 0.83Hz (0.60s / 0.60s) Alternating | T 1 | T 8 | T 19 |
| T 11 | 420(0.5s on, 0.5s off)x3 + 1s gap - ISO 8201 ... | T 44 | T 1 | T 8 | T 43 | 780/600 @ 0.96Hz (0.52s / 0.52s) Alternating | T 1 | T 8 | T 19 |
| T 12 | 1000(0.5s on, 0.5s off)x3 + 1s gap - ISO 8201... | T 44 | T 1 | T 8 | T 44 | 800/1000 @ 2Hz (0.25s / 0.25s) Alternating | T 5 | T 24 | T 19 |
| T 13 | 422/775 - (0.85 on, 0.5 off) x3 + 1s gap - ... | T 44 | T 1 | T 8 | T 45 | 970/800 @ 2Hz (0.25s / 0.25s) Alternating | T 1 | T 8 | T 19 |
| T 14 | 1000/2000 @ 1Hz - Singapore | T 23 | T 3 | T 35 | T 46 | 800/1000 @ 0.875Hz (0.57s / 0.57s) Alternating | T 53 | T 24 | T 19 |
| T 15 | 300 Continuous | T 44 | T 24 | T 35 | T 47 | 2400/2900 @ 2Hz (0.25s / 0.25s) Alternating | T 57 | T 24 | T 19 |
| T 16 | 440 Continuous | T 44 | T 24 | T 35 | T 48 | 500/1200 @ 0.3Hz (1.67s / 1.67s) Sweeping | T 44 | T 24 | T 12 |
| T 17 | 470 Continuous | T 44 | T 24 | T 35 | T 49 | 560/1055 @ 0.18Hz (2.73s / 2.73s) Sweeping | T 44 | T 24 | T 12 |
| T 18 | 500 Continuous - IMO code 2 (Low) | T 44 | T 24 | T 35 | T 50 | 560/1055 @ 3.3Hz (0.15s / 0.15s) Sweeping | T 44 | T 24 | T 12 |
| T 19 | 554 Continuous | T 64 | T 24 | T 35 | T 51 | 600/1250 @ 0.125Hz (4s / 4s) Sweeping | T 44 | T 24 | T 12 |
| T 20 | 660 Continuous | T 44 | T 24 | T 35 | T 52 | 660/1200 @ 1Hz (0.50s / 0.50s) Sweeping | T 64 | T 24 | T 12 |
| T 21 | 800 Continuous - IMO code 2 (High) | T 44 | T 24 | T 35 | T 53 | 800/1000 @ 1Hz (0.50s / 0.50s) Sweeping | T 56 | T 24 | T 12 |
| T 22 | 1200 Continuous | T 44 | T 24 | T 35 | T 54 | 800/1000 @ 7Hz (0.07s / 0.07s) Sweeping | T 57 | T 24 | T 12 |
| T 23 | 2000 Continuous | T 15 | T 3 | T 35 | T 55 | 800/1000 @ 50Hz (0.01s / 0.01s) Sweeping | T 54 | T 24 | T 12 |
| T 24 | 2400 Continuous | T 48 | T 20 | T 35 | T 56 | 2400/2900 @ 7Hz (0.07s / 0.07s) Sweeping | T 57 | T 24 | T 12 |
| T 25 | 440 @ 0.83Hz (0.60s on, 0.60s off) Intermittent | T 1 | T 44 | T 8 | T 57 | 2400/2900 @ 1Hz (0.50s / 0.50s) Sweeping | T 47 | T 24 | T 12 |
| T 26 | 470 @ 0.9Hz (0.55s on, 0.55s off) Intermittent | T 1 | T 44 | T 8 | T 58 | 2400/2900 @ 50Hz (0.01s / 0.01s) Sweeping | T 54 | T 24 | T 12 |
| T 27 | 470 @ 5Hz (0.10s on, 0.10s off) Intermittent | T 1 | T 44 | T 8 | T 59 | 2500/3000 @ 2Hz (0.25s / 0.25s) Sweeping | T 44 | T 24 | T 12 |
| T 28 | 544 @ 1.14Hz (0.43s on, 0.44s off) Intermittent | T 44 | T 24 | T 8 | T 60 | 2500/3000 @ 7.7Hz (0.65s / 0.65s) Sweeping | T 44 | T 24 | T 12 |
| T 29 | 655 @ 0.875Hz (0.57s on, 0.57s off) Intermittent | T 1 | T 44 | T 8 | T 61 | 800Hz Motor Siren | T 44 | T 24 | T 12 |
| T 30 | 660 @ 0.28Hz (1.80s on, 1.80s off) Intermittent | T 44 | T 24 | T 8 | T 62 | 1200Hz Motor Siren | T 44 | T 24 | T 12 |
| T 31 | 660 @ 3.3Hz (0.15s on, 0.15s off) Intermittent | T 30 | T 24 | T 8 | T 63 | 2400Hz Motor Siren | T 44 | T 24 | T 12 |
| T 32 | 745 @ 1Hz (0.50s on, 0.50s off) Intermittent | T 44 | T 24 | T 8 | T 64 | Simulated Bell | T 44 | T 21 | T 12 |